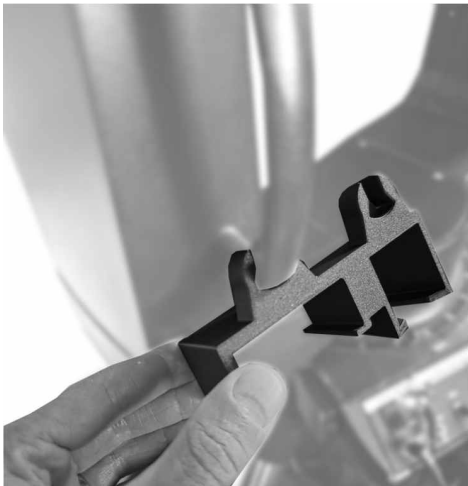




CLICKSTAR

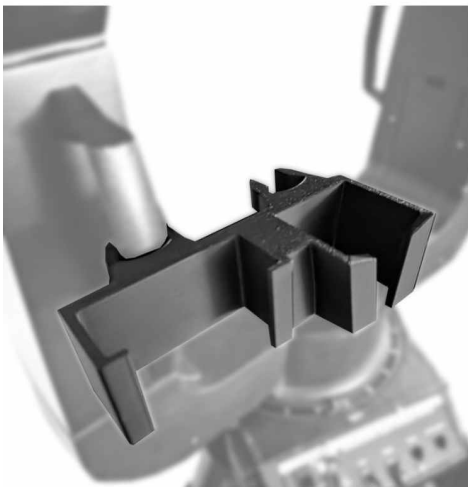
MOUNTING BRACKET INSTALLATION

www.scopebits.co.uk



STEP 1 ★

The bracket can be mounted on the left or right of the mount fork handles. Slide the mount onto the base of the handle where it is narrow.



STEP 2 ★

Now slide the bracket up the handle. It should have some resistance.

Place the bracket in your desired position.



STEP 3 ★

Slide in your C L I C K S T A R handset, and if you have the joystick option, it can be mounted next to it. Note the orientation of the joystick, it can be placed the other way but the handle may press the buttons.